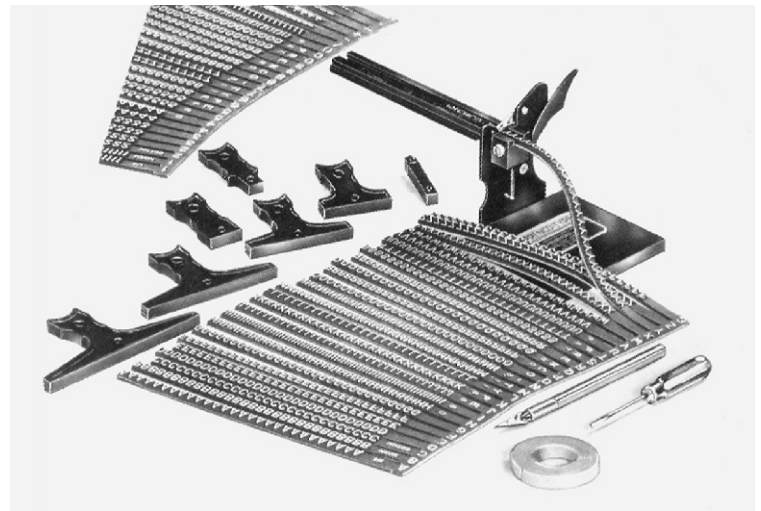


# PRENCO — STAMP TYPE MARKING SYSTEM



## Model No. 501 Rubber Stamp Ink Marking Kit

The kit includes a complete set of type; #501 cutting device; double sided tape (1/4"); 1", 2", 3", 4" master metal holder; wooden handle; interlocking plastic holders; knife handle; package of blades and screwdriver. Now you have a stamp when YOU need it. You make it the way you want it the first time and there's no need for costly and time consuming purchasing procedures. It costs only pennies per stamp and you get high quality characters for clean imprints. It eliminates old tweezer style kits with high and low or upside down characters.

1 complete No. 501 kit .....TBD

### SPARE PARTS

- 1 Complete set of Letters and Numbers ..... TBD
- 1 Skirt of Type Numbers or Letters ..... TBD
- 1 Strip of Type..... TBD
- 1 #501 Cutting Device ..... TBD
- 1 #501 Adapter ..... TBD
- 1 Roll Double Sided Tape (1/4")..... TBD
- 1" Master Metal Holder ..... TBD
- 2" Master Metal Holder..... TBD
- 3" Master Metal Holder..... TBD
- 4" Master Metal Holder..... TBD
- Wooden Handle..... TBD
- 25 Interlocking Plastic Holders (1/4", 1/2", 1", 2", 3", 4")..... TBD
- Knife Handle..... TBD
- Package of Blades (5 per pkg)..... TBD
- Screw Driver..... TBD
- 4 oz. Tube Glasstick Black or White Paste Ink .... TBD
- 1 Rubber Hand Roller (for spreading out paste ink). TBD

## Model No. 503 Rubber Stamp Ink Marking Kit

This kit includes a complete set of 1/4" type; #503 cutting device; #503 adapter; double sided tape (3/8"); interlocking plastic holders; knife holder; package of blades and a screwdriver.

1 complete No. 503 kit .... TBD

### SPARE PARTS

- 1 Complete set of Letters and Numbers, 1/4" type . TBD
- 1 Skirt 1/4" Type Numbers or Letters ..... TBD
- 1 Strip of Type..... TBD
- 20 Interlocking Plastic Holders (choice of 1/4", 1/2", 1", 2", 3", 4")..... TBD
- 1 Roll Double Sided Tape (3/8")..... TBD
- 1 #503 Cutting Device ..... TBD
- 1 Adapter for #503 ..... TBD

## Type Style for stamp marking kit 503 only

1/4" **NORMAL TYPE 12345**

## Type Styles for stamp marking kit 501 only

- 3/64" NORMAL TYPE 1234567890
- 1/16" NORMAL TYPE 1234567890
- 1/16" CONDENSED TYPE 1234567890
- 3/32" NORMAL TYPE 1234567890
- 3/32" CONDENSED TYPE 1234567890
- 1/8" NORMAL TYPE 1234
- 1/8" CONDENSED TYPE 1234
- 5/32" NORMAL TYPE 123456789
- 5/32" CONDENSED TYPE 1234567890
- 3/16" NORMAL TYPE 1234567890
- 3/16" CONDENSED TYPE 1234567890