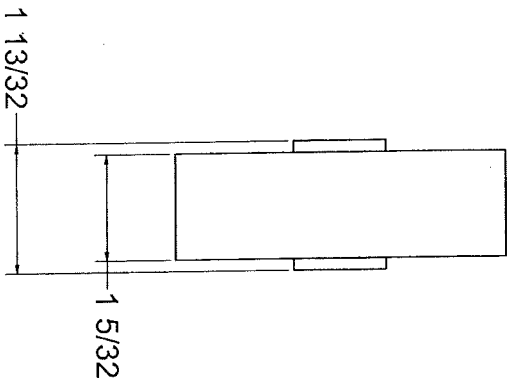
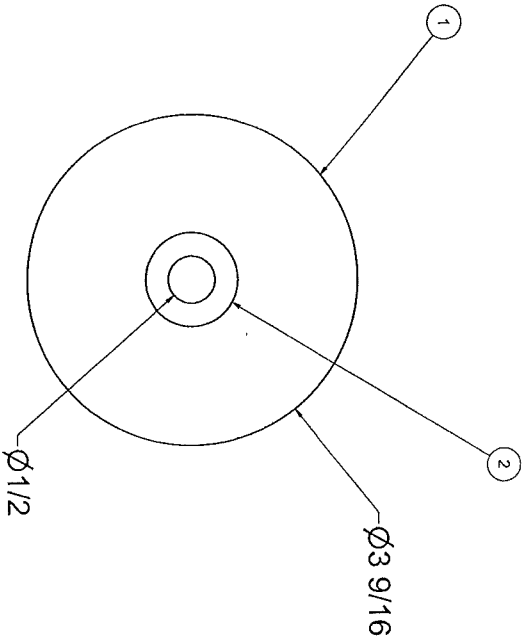


Parts List			
ITEM	QTY	PART NUMBER	DESCRIPTION
1	1	1719003	CARTRIDGE, DICUT
2	2	1719001	FLANGED BEARING



UNLESS OTHERWISE SPECIFIED:
 ALL DIMENSIONS ARE SHOWN IN INCHES.
 ALL DIMENSIONS APPLY AFTER FINISH.
 REMOVE ALL BURRS.
 FRACTIONAL MACHINE DIMENSIONS $\pm 1/64$

DECIMAL DIMENSIONS $\pm .015$ (2 PL. XX)
 $\pm .005$ (3 PL. XXX)
 HOLE DIAMETERS $\pm .005$
 ANGULAR $\pm .1$
 MACHINE SURFACE 125

DRAWN BY: SKD DATE: 3/29/2004
 MATERIAL NUM. TITLE
 MATERIAL DESCR.

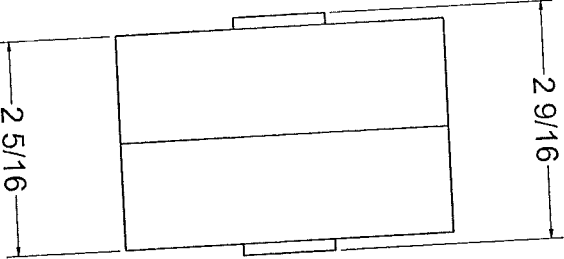
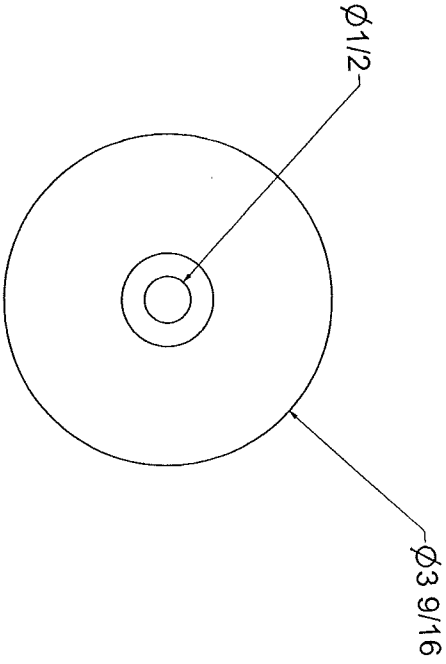
CARTRIDGE, XLM #1 UNINKED

MFG

APPROVED

REV	DESCRIPTION	DATE	AUTH
1	REVISION HISTORY		

SIZE	PART NUMBER	REV
C	1719100	



ITEM	QTY	PART NUMB	DESCRIPTION
1	2	1719003	CARTRIDGE, DICUT
2	2	1719001	FLANGED BEARING
3	1	1399450	ADHESIVE ANCHORWELD #00094

Parts List

UNLESS OTHERWISE SPECIFIED:
 ALL DIMENSIONS ARE SHOWN IN INCHES.
 ALL DIMENSIONS APPLY AFTER FINISH.
 REMOVE ALL BURRS.
 FRACTIONAL MACHINE DIMENSIONS ± 1/64

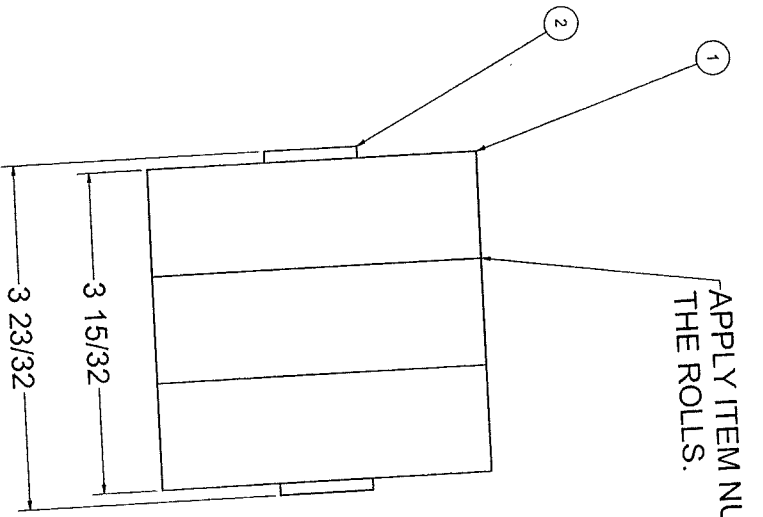
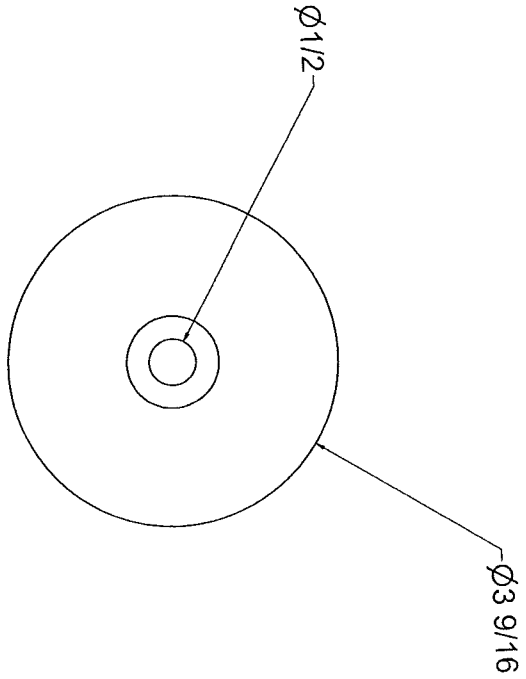
DECIMAL DIMENSIONS ± .015 (2 PL. XX)
 ± .005 (3 PL. XXX)
 HOLE DIAMETERS ± .005
 ANGULAR ± .1
 MACHINE SURFACE 125
 An ITW Company

TITLE
CARTRIDGE, XLM #2 UNINKED

DRAWN BY: SRD DATE: 3/29/2004
 MATERIAL NUM. MATERIAL DESCR.
 MFG. APPROVED
 PART NUMBER 1719200
 SCALE C

REV	DESCRIPTION	DATE	AUTH
1			

REVISION HISTORY



APPLY ITEM NUMBER 3 BETWEEN THE ROLLS.

ITEM	QTY	PART NUMB	DESCRIPTION
1	3	1719003	CARTRIDGE DICUT
2	2	1719001	FLANGED BEARING
3	1	1399450	ADHESIVE ANCHORWELD #R00094

Parts List

UNLESS OTHERWISE SPECIFIED:
 ALL DIMENSIONS ARE SHOWN IN INCHES.
 ALL DIMENSIONS APPLY AFTER FINISH.
 REMOVE ALL BURRS.
 FRACTIONAL MACHINE DIMENSIONS $\pm .164$
 DECIMAL DIMENSIONS $\pm .015$ (2 PL. XX)
 HOLE DIAMETERS $\pm .005$ (3 PL. XXX)
 ANGULAR $\pm .1$
 MACHINE SURFACE 125

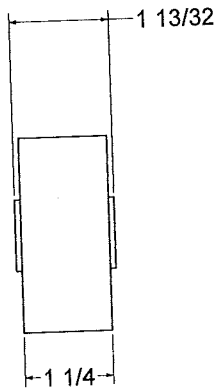
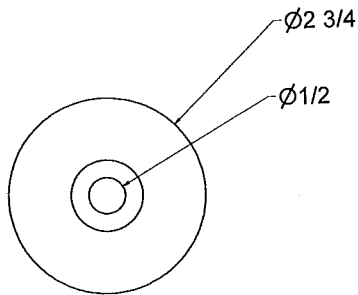
DRAWN BY: SRD DATE: 3/29/2004
 MATERIAL NUM. MATERIAL DESOR.
 MFG.
 APPROVED
 TITLE: CARTRIDGE, XLM #3 UNINKED
 DRAWN BY: SRD DATE: 3/29/2004
 MATERIAL NUM. MATERIAL DESOR.
 MFG.
 APPROVED
 TITLE: CARTRIDGE, XLM #3 UNINKED

Diagram Marking and Stenciling Products Group
 An ITW Company

REV	DESCRIPTION	DATE	AUTH
1			

REVISION HISTORY

SIZE: C
 SCALE: 1
 PART NUMBER: 1719300
 REV: 1



UNLESS OTHERWISE SPECIFIED:
 ALL DIMENSIONS ARE SHOWN IN INCHES.
 ALL DIMENSIONS APPLY AFTER FINISH.
 REMOVE ALL BURRS.
 FRACTIONAL MACHINE DIMENSIONS 1/64

DECIMAL DIMENSIONS ± .015 (2 PL. XX)
 ± .005 (3 PL. XXX)
 HOLE DIAMETERS ± .005
 ANGULAR ± '1
 MACHINE SURFACE 125

DRAWN BY: SRD	DATE: 3/29/2004	Diagraph Marking and Stenciling Products Group An ITW Company	
MATERIAL NUM.		TITLE	
MFG		MINI FOAM ROLLER	
APPROVED		SIZE	PART NUMBER
			1741120
		SCALE	REV

REV	DESCRIPTION	DATE	AUTH
1			

REVISION HISTORY